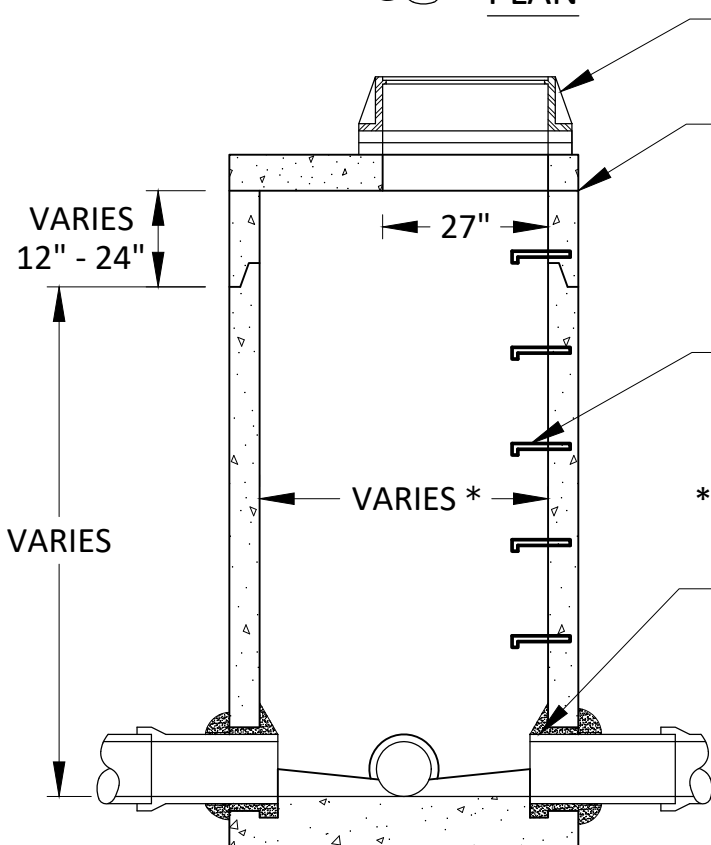


PRECAST INVERT MUST BE 1/2 DIAMETER OF THE PIPE AND BENCHES SLOPED 2" TOWARD THE INVERT.

MANHOLE STEPS SHALL BE PLACED SO THAT OFFSET VERTICAL PORTION OF CONE IS FACING DOWNSTREAM.

PLAN



CASTING AND ADJUSTMENT RINGS AS SPECIFIED. PER DETAIL PLATE STR-23.

TOP OF BARREL SECTION BELOW TOP SLAB TO HAVE FLAT TOP EDGE SEALED WITH 2 BEADS OF RAMNEK OR EQUAL.

MANHOLE STEPS 16" MAX ON CENTER.

* DETERMINED BY PIPE SIZE

PIPE SHALL BE CUT TO BE 2"-4" INSIDE MANHOLE WALL AND HAVE A WATER TIGHT SEAL. SEE SPECIFICATION.

ALL DOG HOUSES SHALL BE MORTARED ON INSIDE AND OUTSIDE.

SECTION



STANDARD DETAILS
SANITARY SEWER JUNCTION MANHOLE
WITH REINFORCED TOP SLAB
COTTAGE GROVE, MINNESOTA

JANUARY 2022

PLATE NO.
SAN-3