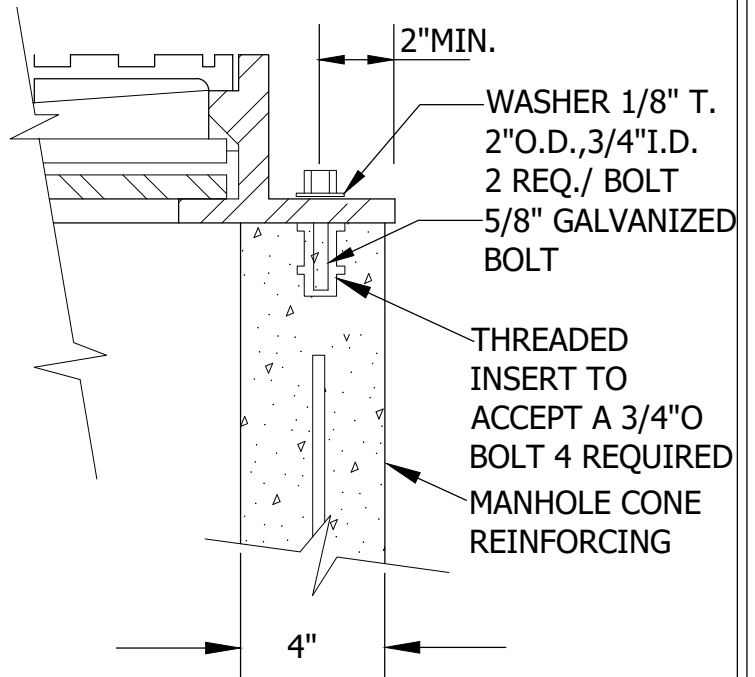
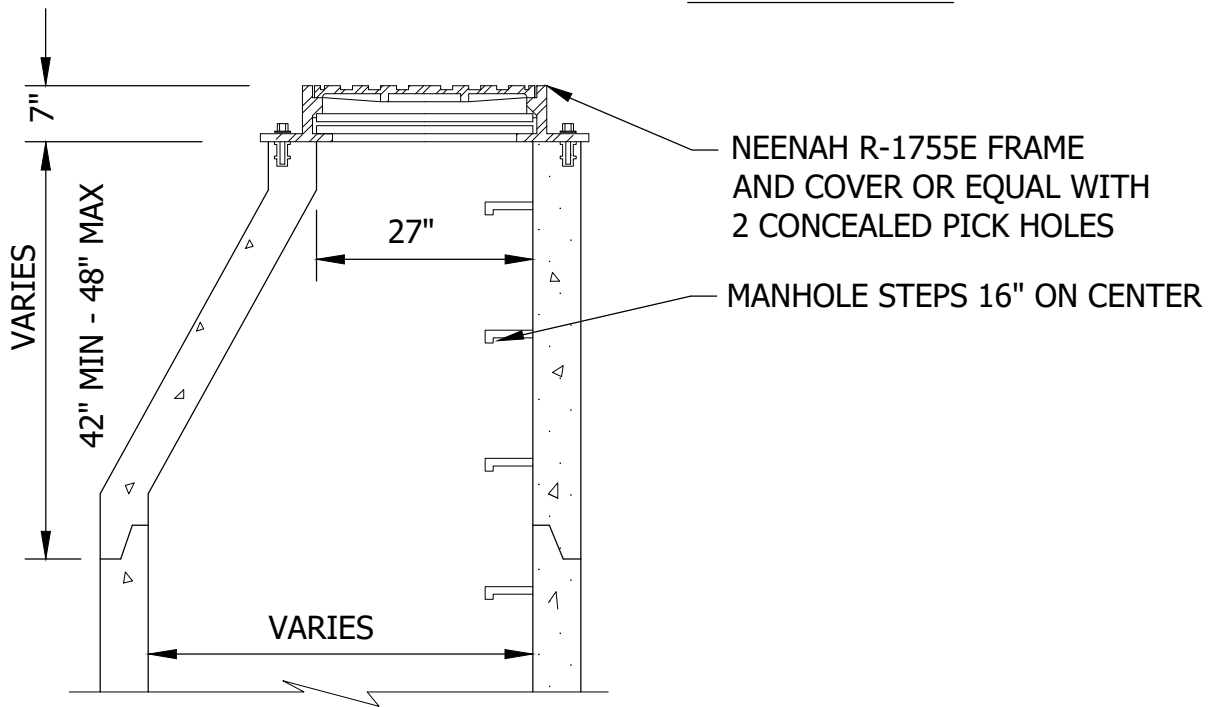


PLAN VIEW TOP COVER REMOVED



TIE DOWN DETAIL



ECCENTRIC WATERTIGHT MANHOLE



STANDARD DETAILS
WATERTIGHT CASTING FOR
SANITARY SEWER MANHOLE
COTTAGE GROVE, MINNESOTA

JANUARY 2022

PLATE NO.
SAN-5