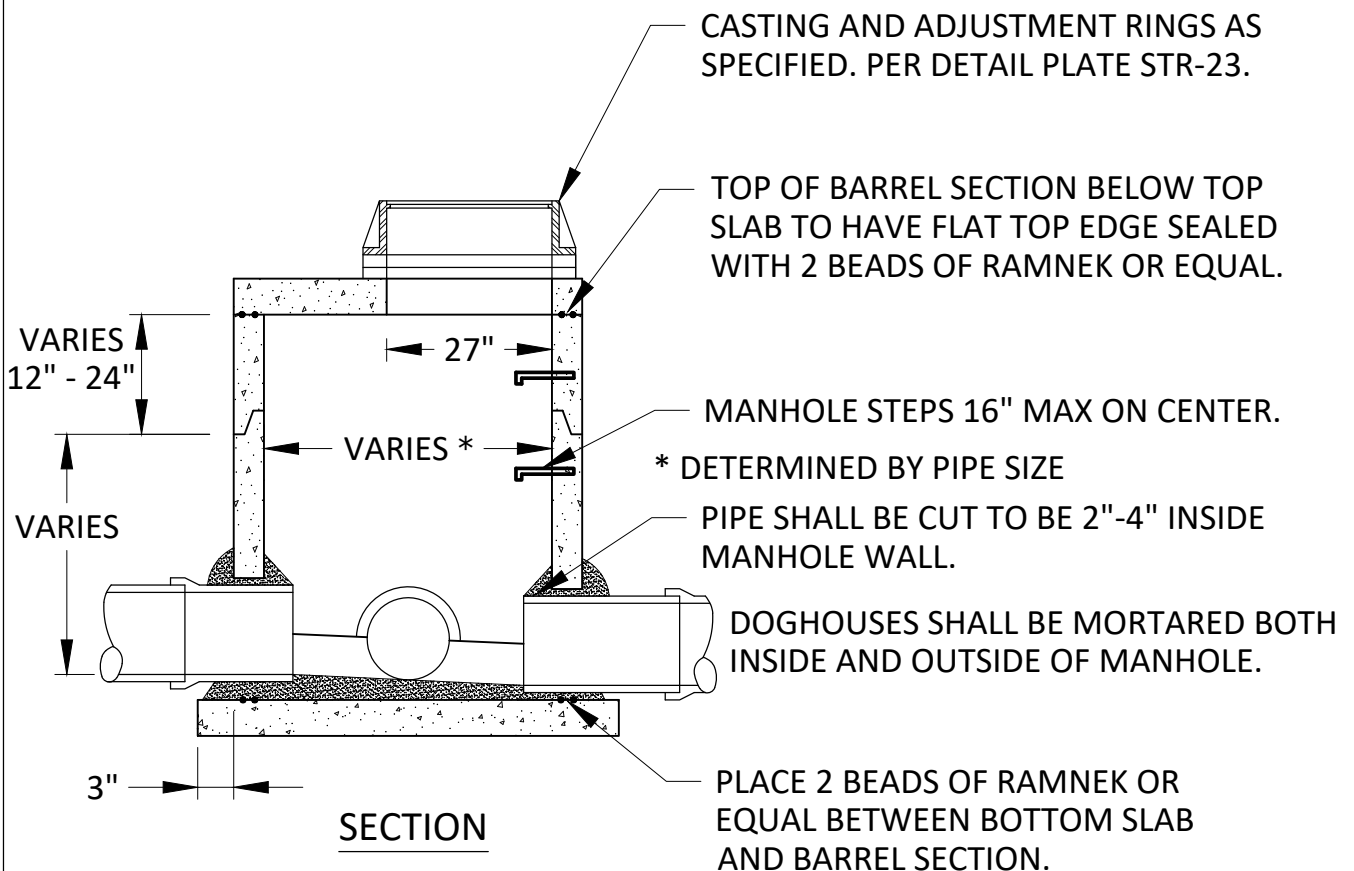


PLAN

MORTAR BOTTOM OF MANHOLE TO 1/2 DIAMETER AT PIPE AND SLOPE MORTAR 2" TOWARD INVERT.



SECTION

CASTING AND ADJUSTMENT RINGS AS SPECIFIED. PER DETAIL PLATE STR-23.

TOP OF BARREL SECTION BELOW TOP SLAB TO HAVE FLAT TOP EDGE SEALED WITH 2 BEADS OF RAMNEK OR EQUAL.

VARIES
12" - 24"

27"

MANHOLE STEPS 16" MAX ON CENTER.

VARIES *

* DETERMINED BY PIPE SIZE

VARIES

PIPE SHALL BE CUT TO BE 2"-4" INSIDE MANHOLE WALL.

DOGHOUSES SHALL BE MORTARED BOTH INSIDE AND OUTSIDE OF MANHOLE.

3"

PLACE 2 BEADS OF RAMNEK OR EQUAL BETWEEN BOTTOM SLAB AND BARREL SECTION.



STANDARD DETAILS
STORM SEWER JUNCTION MANHOLE
WITH REINFORCED TOP SLAB
COTTAGE GROVE, MINNESOTA

JANUARY 2022

PLATE NO.
STO-3