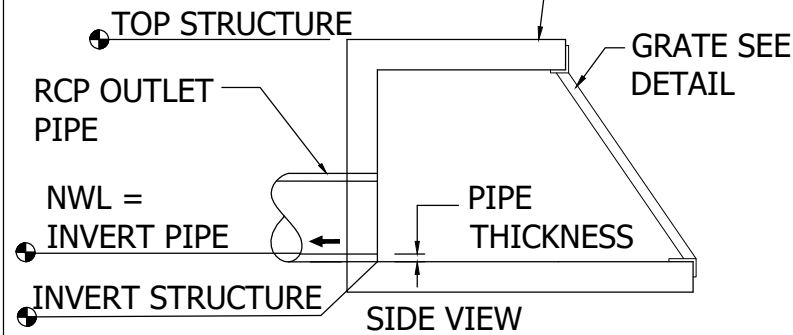


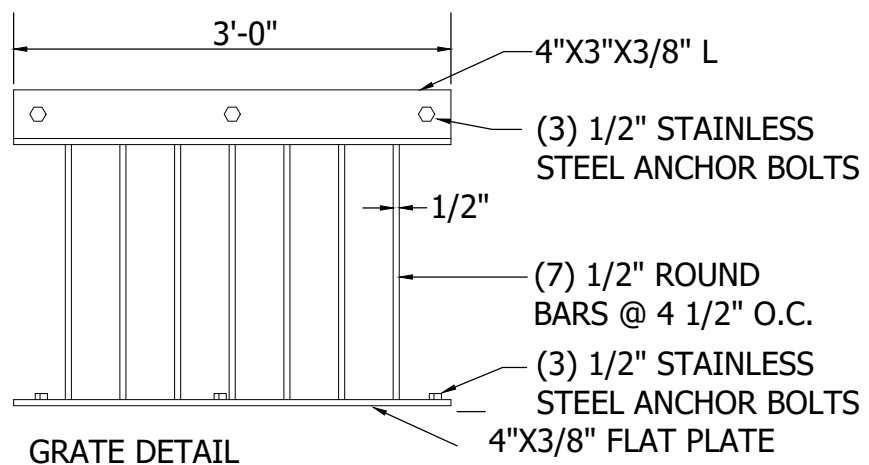
TOP VIEW

790-2 OR R1737 NEENAH CASTING
ACCESS OPENING WITH SOLID LID



OUTLET STRUCTURE NOTES:

1. OUTLET STRUCTURE SHALL BE REINFORCED PRECAST CONCRETE.
2. GRATING SHALL BE HOT DIPPED GALVANIZED AFTER FABRICATION.
3. ALL ANCHOR BOLTS SHALL BE 1/2"Ø S.S. EXP. ANCHORS W/ 4" MIN. EMBEDMENT.
4. MAXIMUM SIZE OULET PIPE TO BE 15".



STANDARD DETAILS

OUTLET STRUCTURE

COTTAGE GROVE, MINNESOTA

JANUARY 2022

PLATE NO.
STO-19