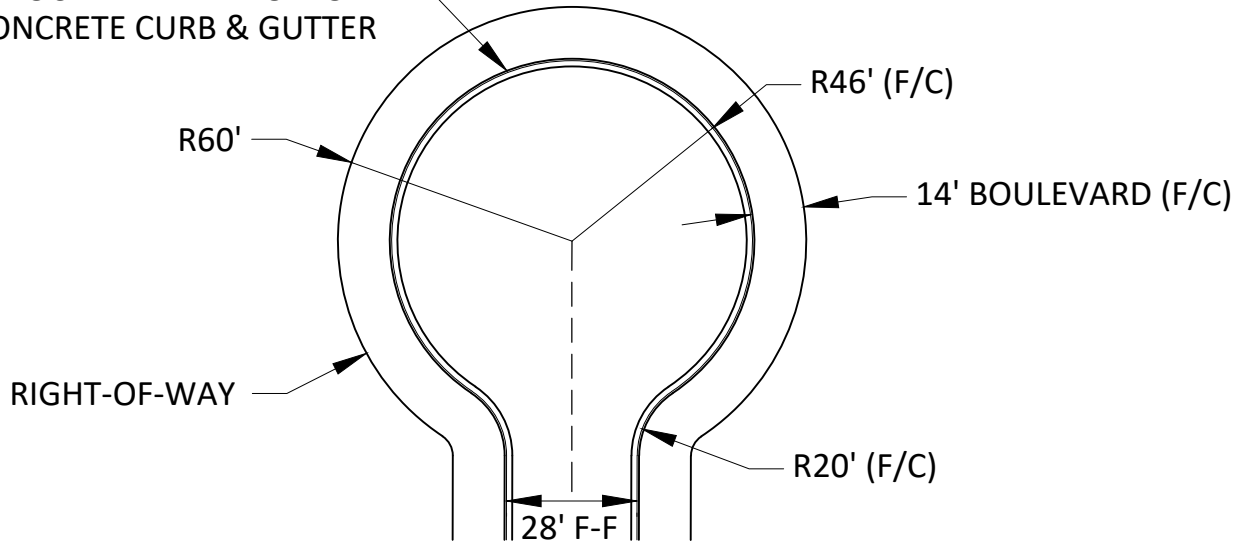
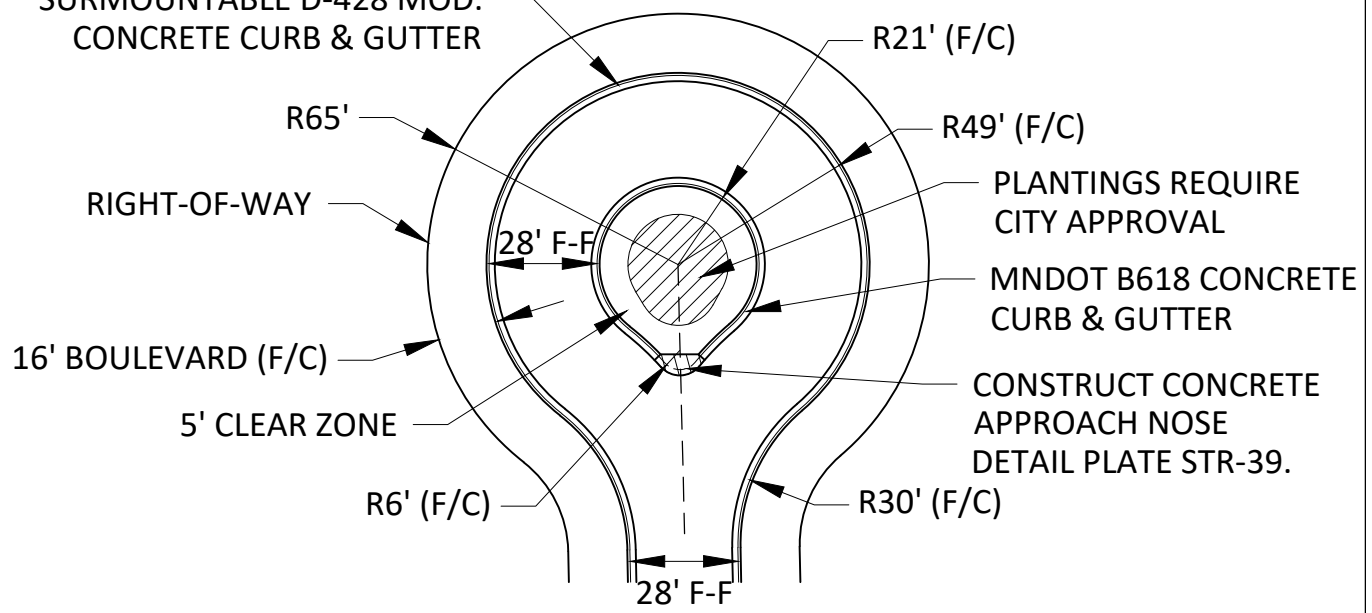


SURMOUNTABLE D-428 MOD.  
CONCRETE CURB & GUTTER



STANDARD CUL-DE-SAC

SURMOUNTABLE D-428 MOD.  
CONCRETE CURB & GUTTER



NOTE:  
CURB AND GUTTER TO BE B618 (GUTTER OUT).

ISLAND CUL-DE-SAC



STANDARD DETAILS  
TYPICAL CUL-DE-SAC SECTIONS  
RESIDENTIAL (28' F-F)  
COTTAGE GROVE, MINNESOTA

JANUARY 2022

PLATE NO.  
**STR-4**