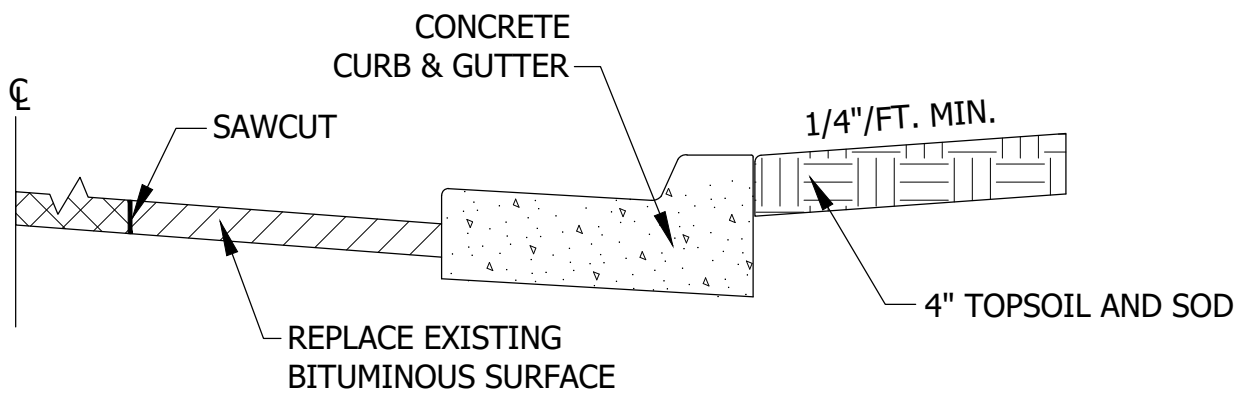
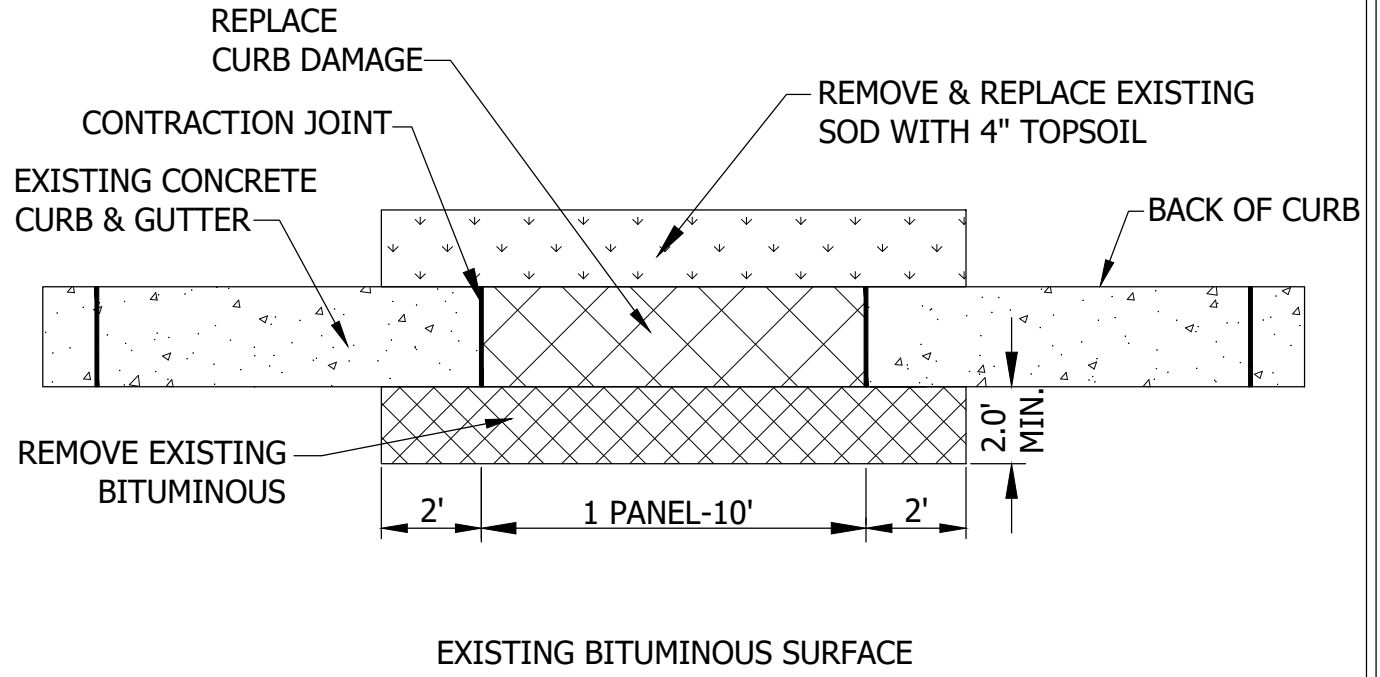


EXISTING YARD



SECTION



STANDARD DETAILS
CONCRETE CURB REPLACEMENT
COTTAGE GROVE, MINNESOTA

JANUARY 2022

PLATE NO.
STR-19