

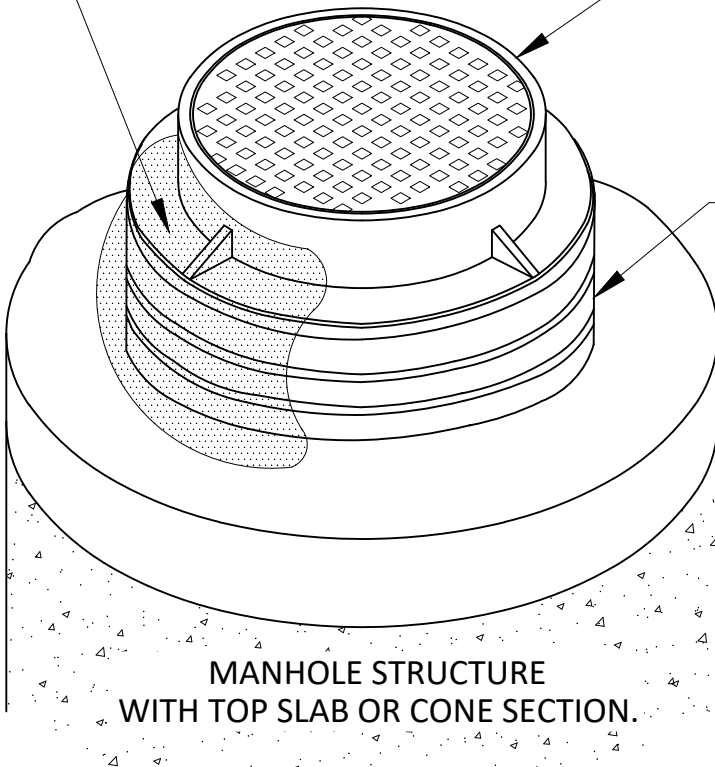
NEENAH R-3067-VB CATCH BASIN FRAME AND GRATE. SHALL BE FURNISHED WITH CURB INLET BOX AND 3" DIA FRONT FACE AND 4" MAX OPENING.

HIGH DENSITY POLYETHYLENE (HDPE) ADJUSTMENT RINGS. MIN HEIGHT 3", MAX HEIGHT 12".

CATCH BASIN STRUCTURE WITH TOP SLAB OR 2' X 3' BOX.

FILTER FABRIC

NEENAH R1642B MANHOLE FRAME AND COVER. SHALL BE FURNISHED WITH 2 CONCEALED PICK HOLES AND STAMPED "SANITARY SEWER" OR "STORM SEWER".



HIGH DENSITY POLYETHYLENE (HDPE) ADJUSTMENT RINGS. MIN HEIGHT 3", MAX HEIGHT 12".

MANHOLE STRUCTURE WITH TOP SLAB OR CONE SECTION.



STANDARD DETAILS
CATCHBASIN AND MANHOLE
ADJUSTMENT
COTTAGE GROVE, MINNESOTA

JANUARY 2022

PLATE NO.
STR-23