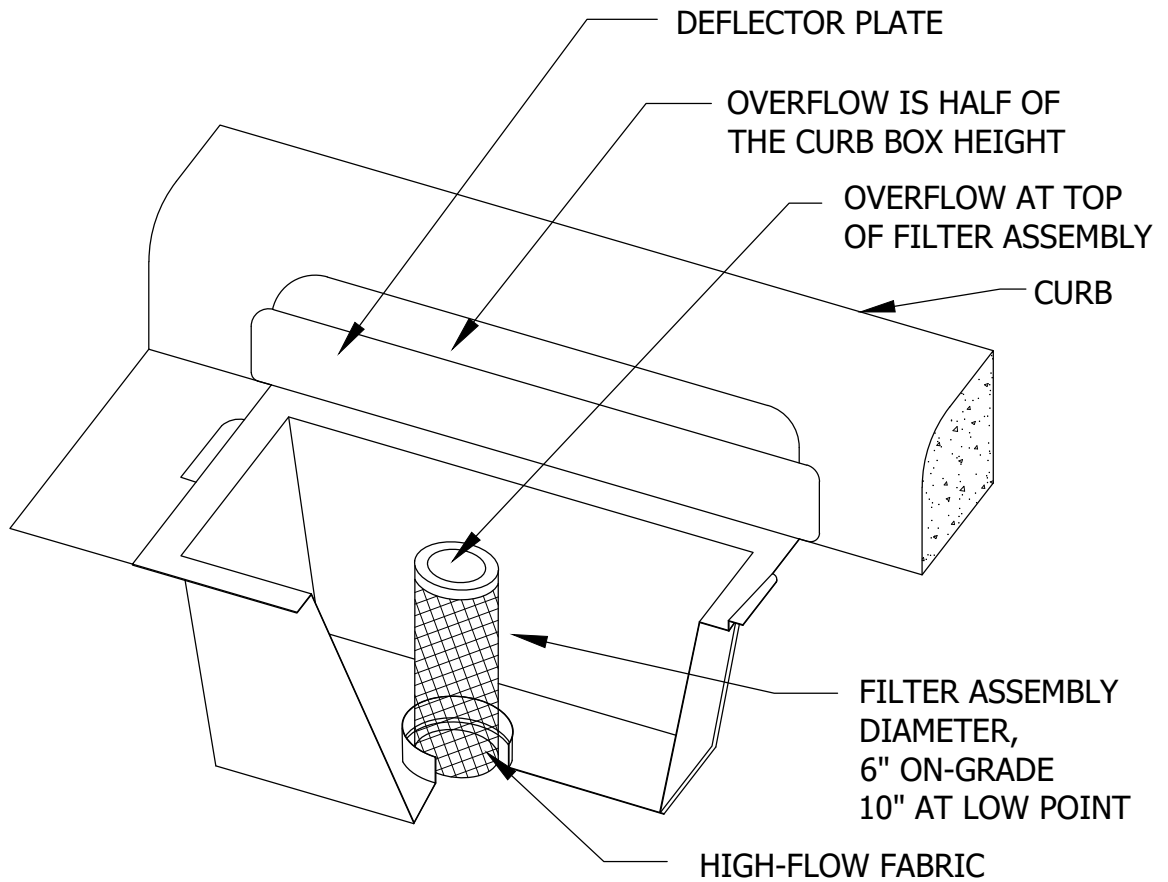


**NOTE: USE WIMCO ROAD DRAIN CG-23 OR CG-3290-VB (DEPENDING ON CASTING TYPE) HIGH FLOW INLET PROTECTION CURB AND GUTTER MODELS, OR CITY APPROVED EQUAL.**



**STANDARD DETAILS**  
INLET PROTECTION CATCH  
BASIN INSERT  
COTTAGE GROVE, MINNESOTA

JANUARY 2022

PLATE NO.  
ERO-9