

ANCHOR TRENCH (SEE DETAIL AND NOTES BELOW)

OVERLAP END JOINTS
MINIMUM OF 6" AND STAPLE
OVERLAP AT 1.5' INTERVALS.

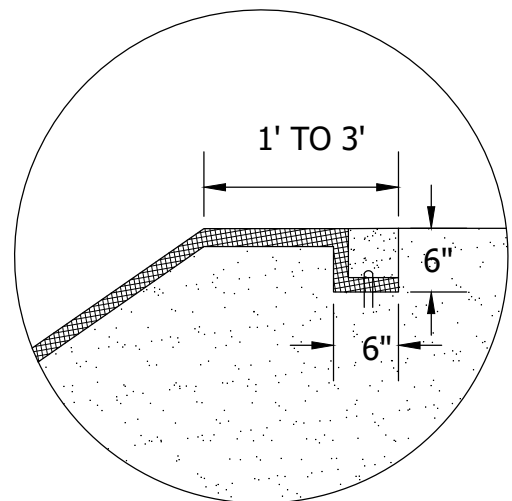
DIRECTION OF
SURFACE FLOW

STAPLE DENSITY SHALL BE A
MINIMUM OF 3 U-SHAPED 8",
11 GAUGE METAL STAPLES PER
SQUARE YARD (THIS MAY VARY AS
DIRECTED BY THE CITY).

OVERLAP
LONGITUDINAL JOINTS
MINIMUM OF 6"

ANCHOR TRENCH

1. DIG 6" X 6" TRENCH
2. LAY BLANKET IN TRENCH
3. STAPLE AT 1.5' INTERVALS
4. BACKFILL WITH NATURAL SOIL AND COMPACT
5. BLANKET LENGTH SHALL NOT EXCEED 100'
WITHOUT AN ANCHOR TRENCH



STANDARD DETAILS
ROLLED EROSION PREVENTION
PRODUCTS INSTALLATION
COTTAGE GROVE, MINNESOTA

JANUARY 2022

PLATE NO.
ERO-5