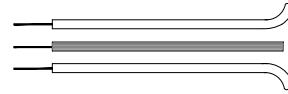
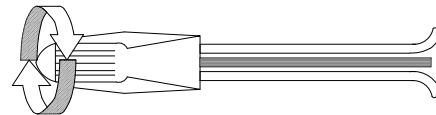


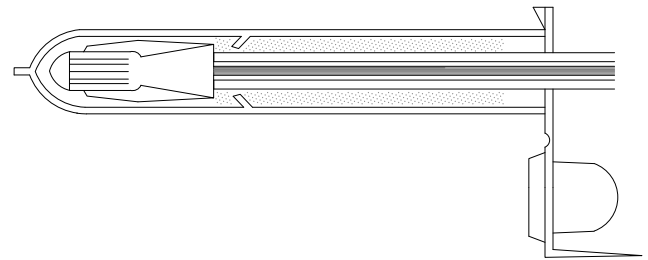
STEP 1: STRIP WIRES 1/2" FROM ENDS.



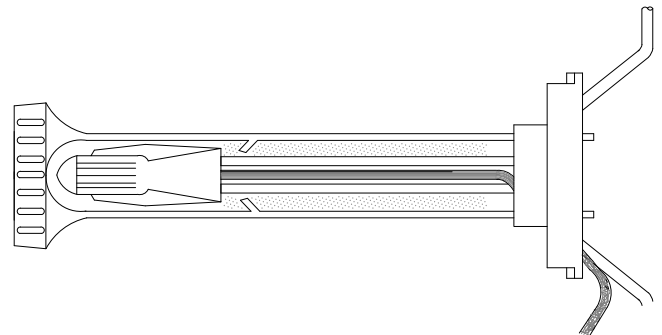
STEP 2: APPLY SCOTCHLOK Y SPRING CONNECTOR IN A CLOCKWISE DIRECTION.



STEP 3: INSERT SPLICE TO BOTTOM OF GEL-FILLED TUBE. CHECK TO MAKE SURE CONNECTOR HAS BEEN PUSHED PAST LOCKING FINGERS AND IS SEATED AT BOTTOM OF TUBE.



STEP 4: POSITION WIRES IN WIRE CHANNELS AND CLOSE INSULATOR TUBE COVER.



STANDARD DETAILS
WATERPROOF CONNECTOR

COTTAGE GROVE, MINNESOTA

JANUARY 2022

PLATE NO.
IRR-9