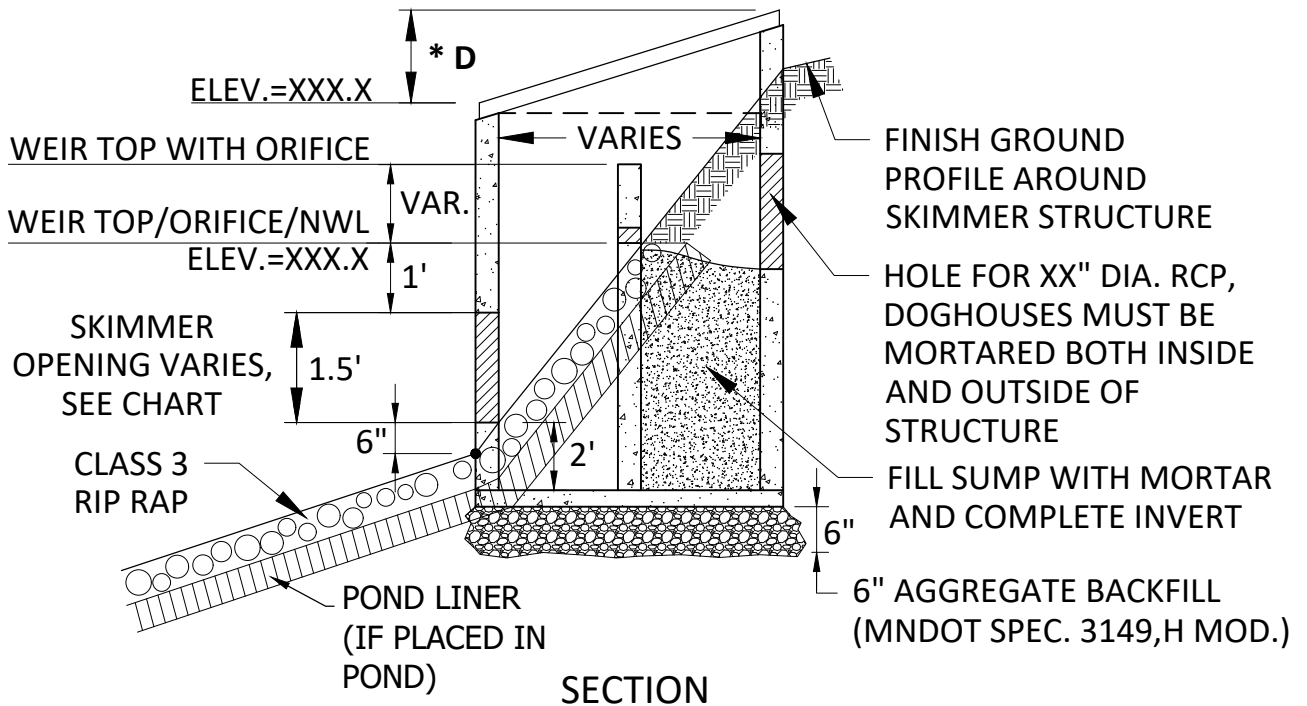


GRATE DETAIL

SEE STORM SEWER SCHEDULE FOR SPECIFIC WEIR WALL.
SEE STORM SEWER SHEETS FOR SPECIFIC STRUCTURE ELEVATIONS.

MANHOLE DIAMETER	SKIMMER OPENING
4'	3'x1.5'
5'	4.5'x1.5'
6'	6'x1.5'

DIAMETER	* D (TOP OF STRUCTURE SLOPE)
48" DIA	9" OR 18"
>48" DIA	12" OR 24"



STANDARD DETAILS
STANDARD SKIMMER STRUCTURE WITH WEIR WALL
COTTAGE GROVE, MINNESOTA

JANUARY 2022

PLATE NO.
STO - 23